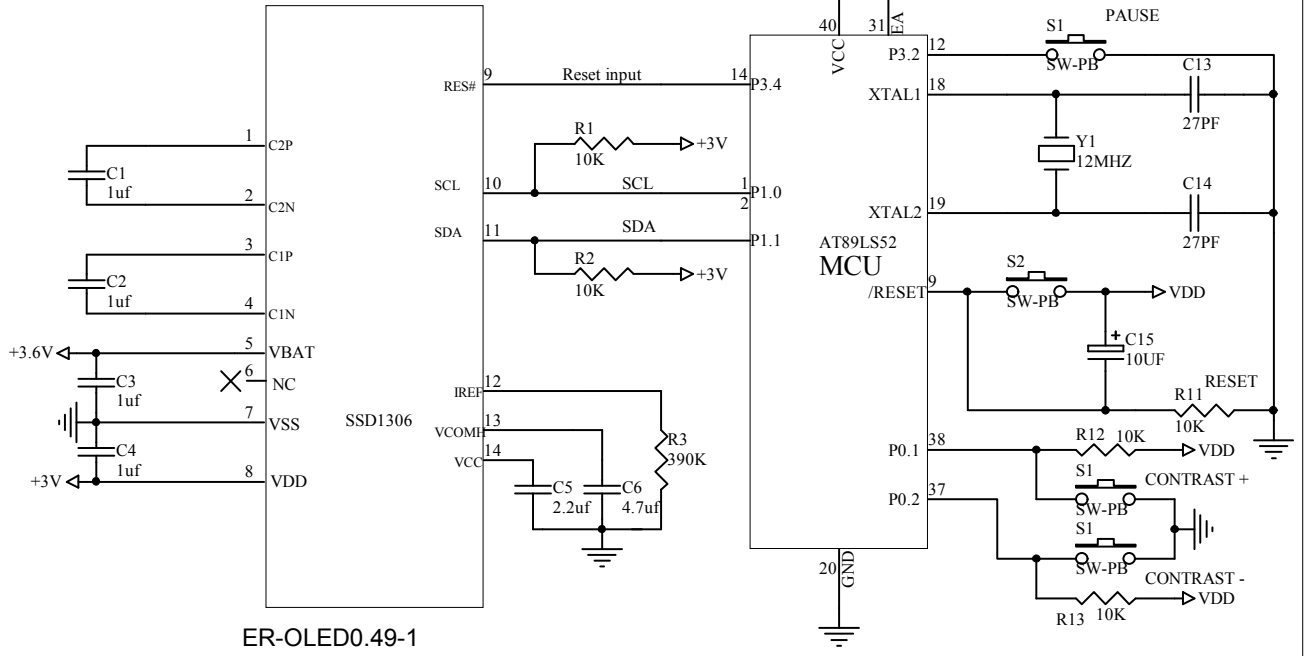


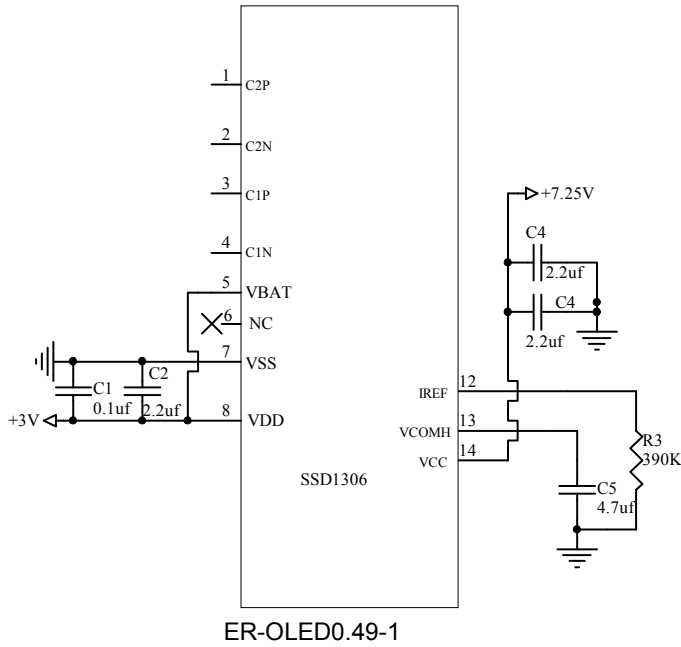
Interfacing OLED Display Module to AT89LV52 MCU

The Serial I2C Reference Example

Used internal Charge Pump



VCC Supplied Externally(Don't use internal Charge Pump)



Title EASTRISING TECHNOLOGY CO.,LTD.		
Size A	Number ER-OLED0.49-1Series	Revision A0
Date: 12-Aug-2014	Sheet of 1	
File	Drawn By Javen	